



Europa swing doors

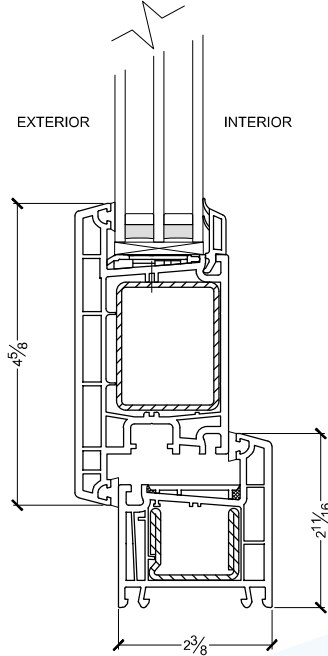
FEATURES:

- Multi-point locks** engage on three sides of the sash
- Custom made and sized** to fit any non-standard opening
- Tilt-back feature** on in-swing doors
- Steel reinforcing** in frame and sash

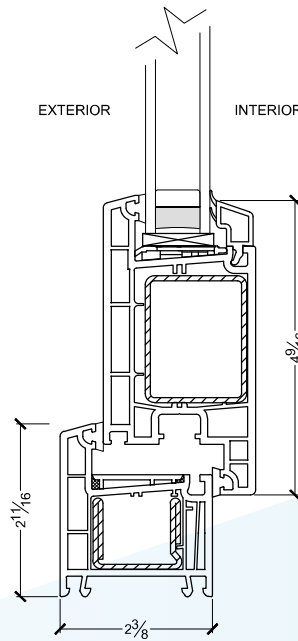
Europa swing doors

Europa swing doors are side-hinged and designed to swing in or out of a room when space is at a premium. Durable and attractive, they offer outstanding water resistance, air tightness, and thermal efficiency. These steel reinforced, vinyl doors include multi-point security locks to ensure resistance to forced entry and tight sealing against cold air and wind driven water. When open to the inside you are able to tilt the sash back providing ventilation without allowing entry, ensuring privacy and security that conventional doors cannot deliver. Europa swing doors are available with dual or triple-glazing.

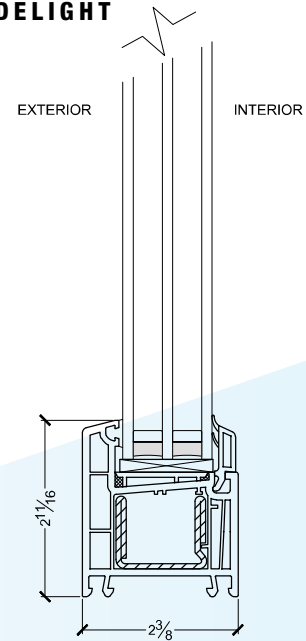
OUTSWING



INSWING



DIRECT-GLAZED SIDELIGHT



PERFORMANCE DATA

Outswing: Residential
Classification. Performance Grade = PG 20

Inswing: Residential
Classification. Performance Grade = PG 20

Tilt & Turn: Residential
Classification. Performance Grade = PG 20

U Value	SHGC	VT	Glazing Make Up	Performance
1.72	0.22	0.41	LoE-272 / Clear	Good
1.69	0.17	0.37	LoE-366 / Clear	Good
1.53	0.16	0.34	LoE-366 / Clear / Clear	Better
1.40	0.14	0.36	LoE-366 / LoE i-89	Better
1.32	0.21	0.35	LoE-272 / LoE-180 / LoE i-89	Best
1.31	0.15	0.49	LoE-366 / LoE-180 / LoE i-89	Best

OTHER GLAZING OPTIONS ARE AVAILABLE

UNLIMITED LIFETIME WARRANTY ON VINYL, GLASS AND HARDWARE. INCLUDING ALL PARTS, LABOUR AND CRAFTSMANSHIP. WARRANTIES ARE TRANSFERABLE TO NEW OWNERS FOR 25 YEARS.



7533 Progress Way, Delta, BC V4G 1E7
tel. 604.946.2310 toll free. 1.888.363.7832

2031 Malaview Ave W #105, Sidney, BC V8L 5X6
tel. 778.404.1695 Open by appointment only

westcoastwindows.ca

